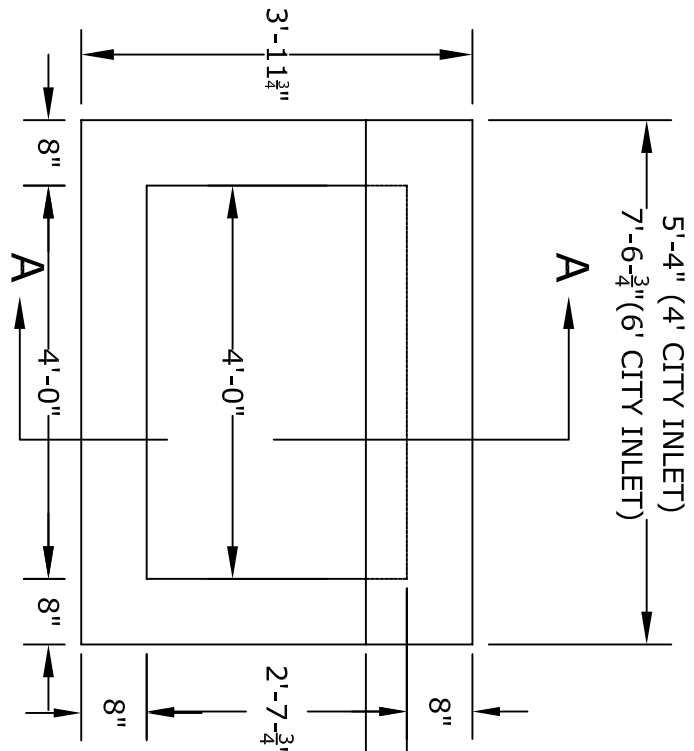
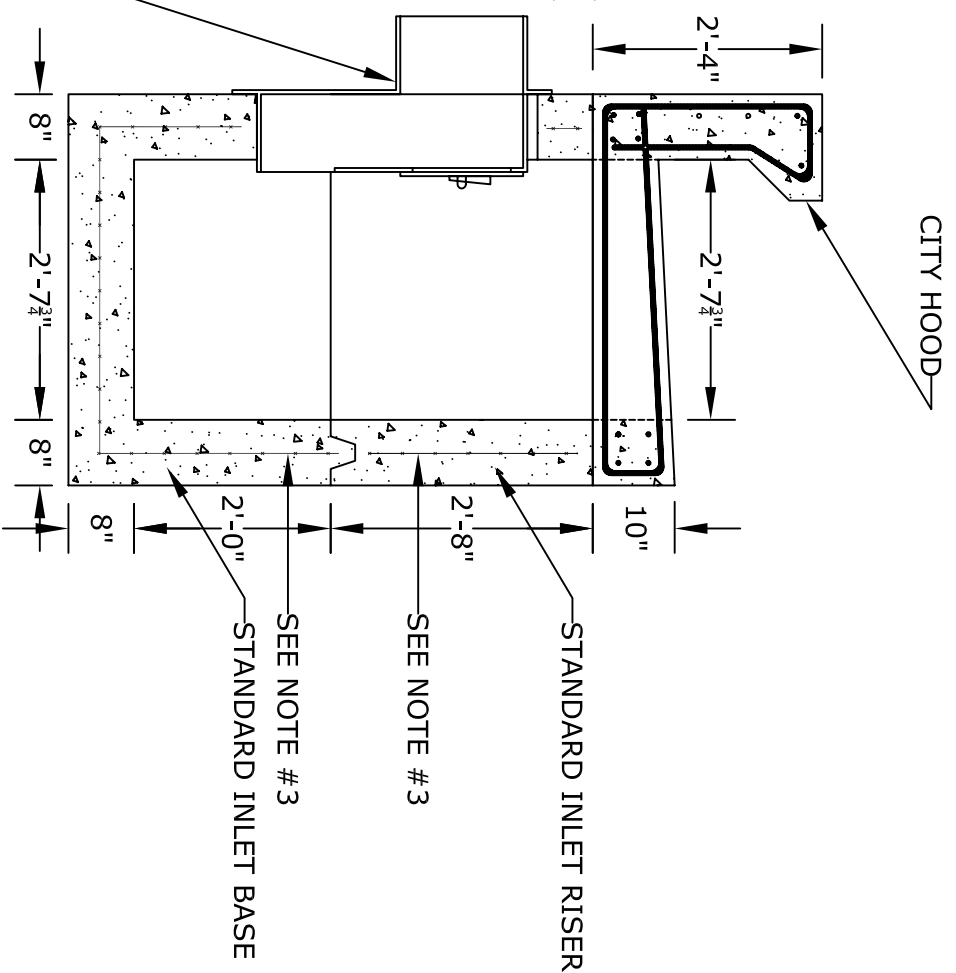


PLAN VIEW
(SHOWN WITH HOOD)



SECTION A-A



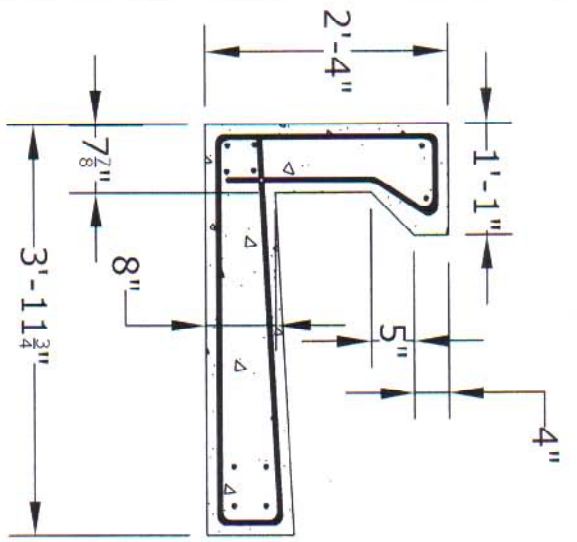
NOTES

1. CONCRETE- 4000 psi, AIR ENTRAINED
2. --BLANK--
3. WELDED WIRE FABRIC- ASTM A-185 - 4X4 W4&W4
4. --BLANK--
5. FRAME AND COVER- SEE ACCOMPANYING SPEC. SHEET

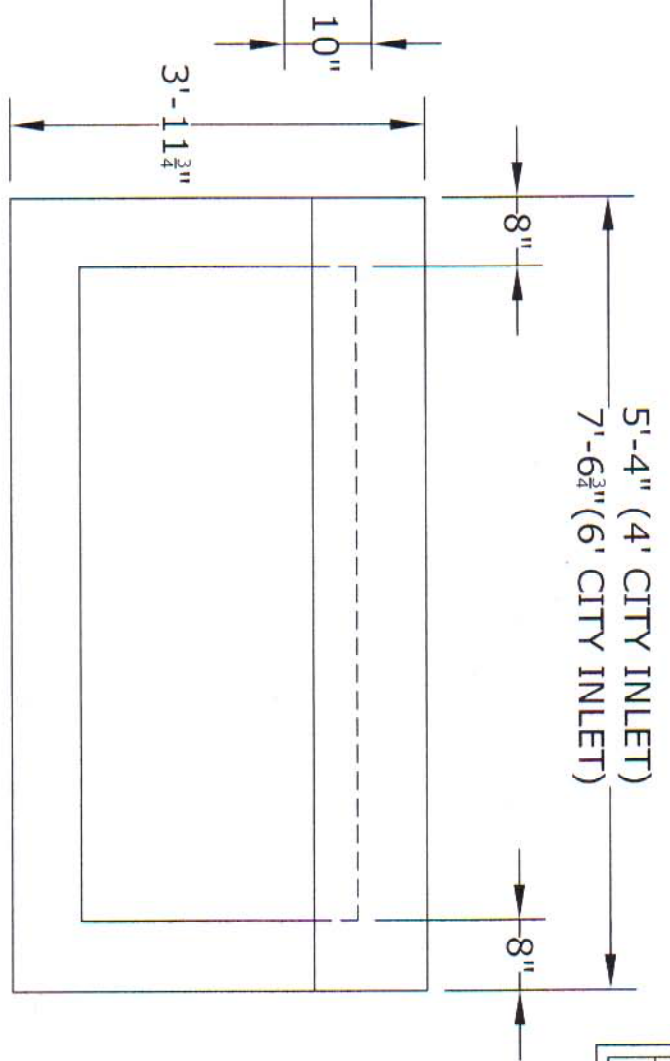
TITLE:
**Philadelphia
Open Mouth Grate**

ALTOMARE PRECAST, INC.
4300 Wissahickon Ave.
Philadelphia, PA 19129
Ph: 215-225-8800 Fax: 215-225-8900

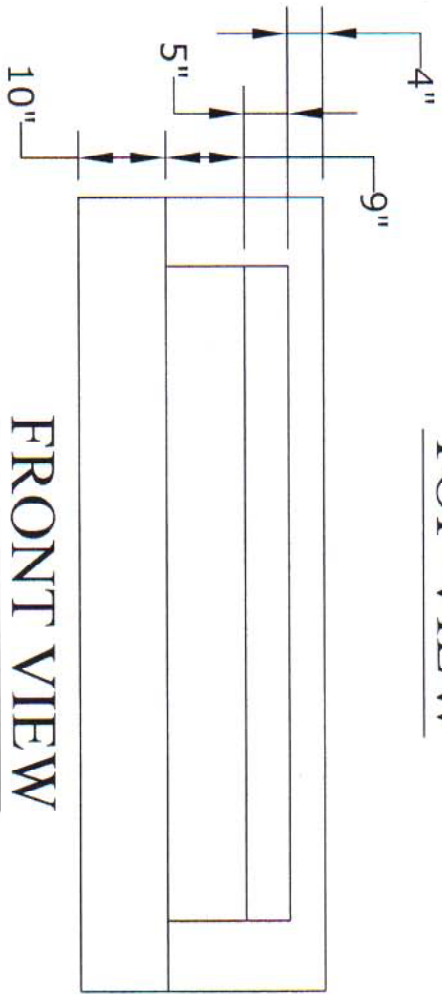
PROJECT:
CONTR:
DATE:



SECTION VIEW



TOP VIEW



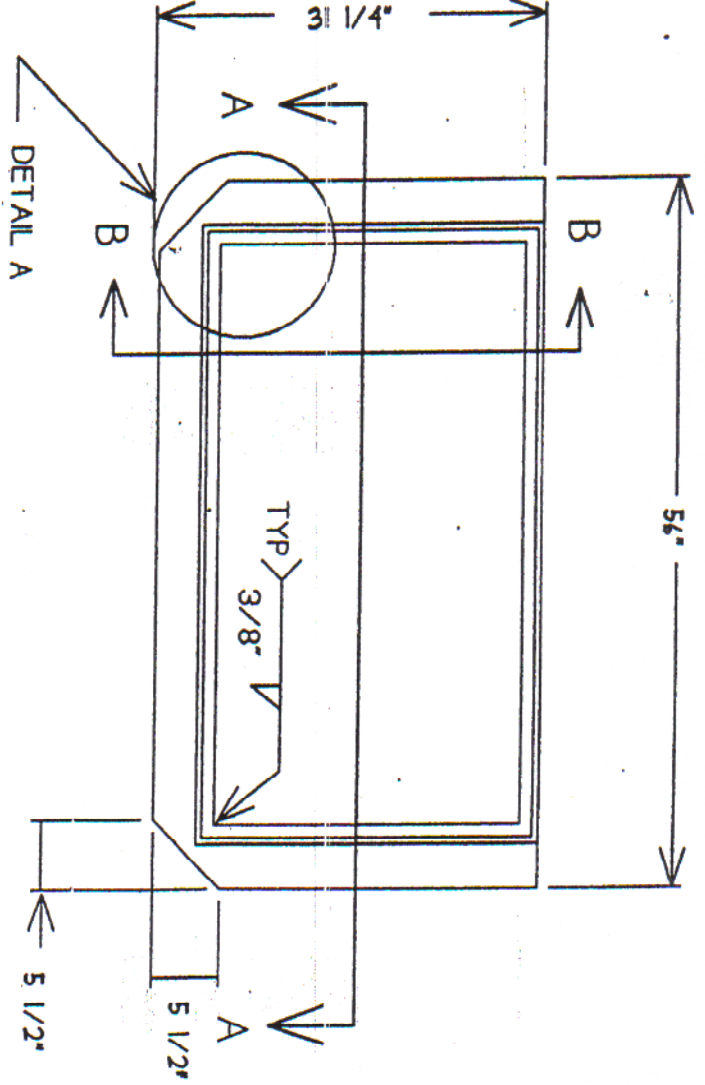
FRONT VIEW

NOTES

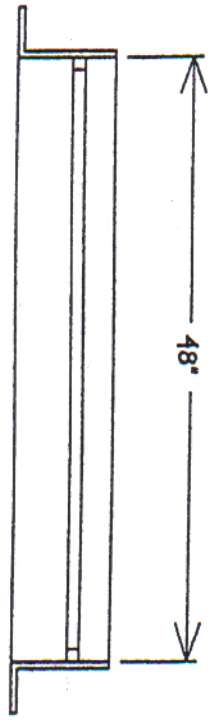
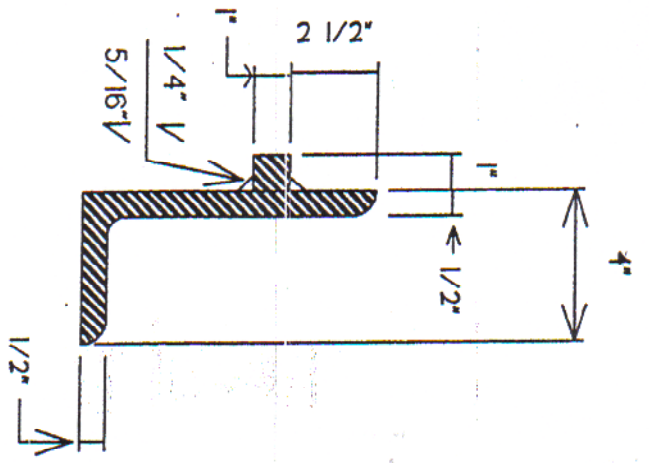
1. CONCRETE - 4000psi, AIR ENTRAINED
2. REINFORCING STEEL - GRADE 60, ASTM A-615

CONTR:	
DATE:	

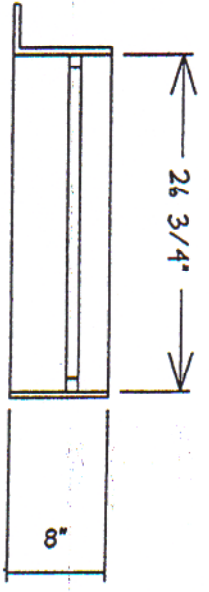
<p>ALTOMARE PRECAST, INC. 4300 WISSAHICKON AVENUE PHILADELPHIA, PA 19129 PH: 215-225-8800 FAX: 215-225-8900</p>	<p>TITLE: CITY HOOD</p>
---	-------------------------------------



DETAIL A



SECTION A-A

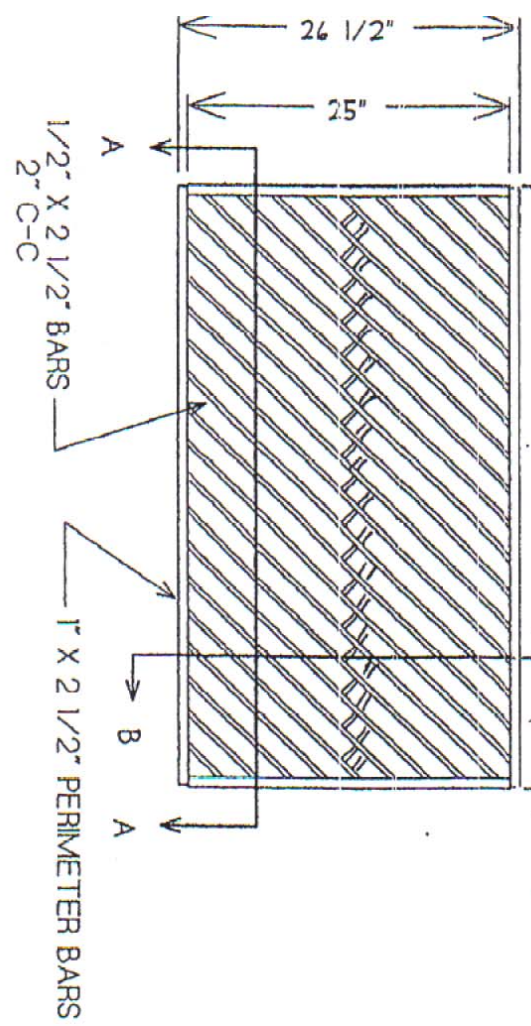


SECTION B-B

1. All material to be A 36 structural steel.
2. PA DOT approved.
3. All welding is done by certified welders as per PA DOT form 409, section 1053.21.

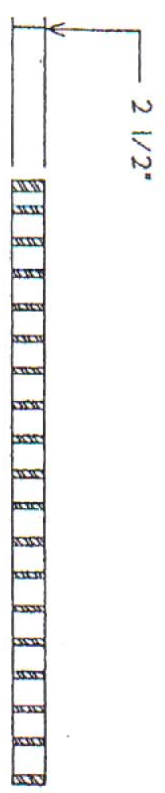
	<p>TYPE ALTERNATE FRAME 8"</p> <p>4'-0" Open Mouth Grate Inlet</p>	<p>MORGAN'S WELDING</p> <p>1941 Camp Swatara Road Myerstown, PA 17057 Phone - 717-933-5255</p>	
--	--	--	--

3'-11 1/4" (4'-0" Inlet)
 6'-2 1/4" (6'-0" Inlet)



NOTES:

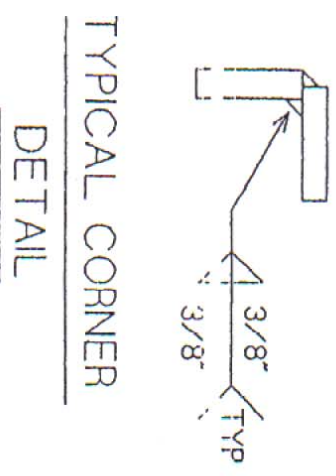
1. Structural steel grates coated with 1 coat of bituminous paint.
2. Tolerances shall be +/- 1/8"
3. Structural steel to meet or exceed requirements of AASHTO-M183 or ASTM-A36.
4. Grate spacers to be flush with top surface of grate.
5. All welding is done by certified welders as per PA DOT pub. 408, sec. 1105.03.



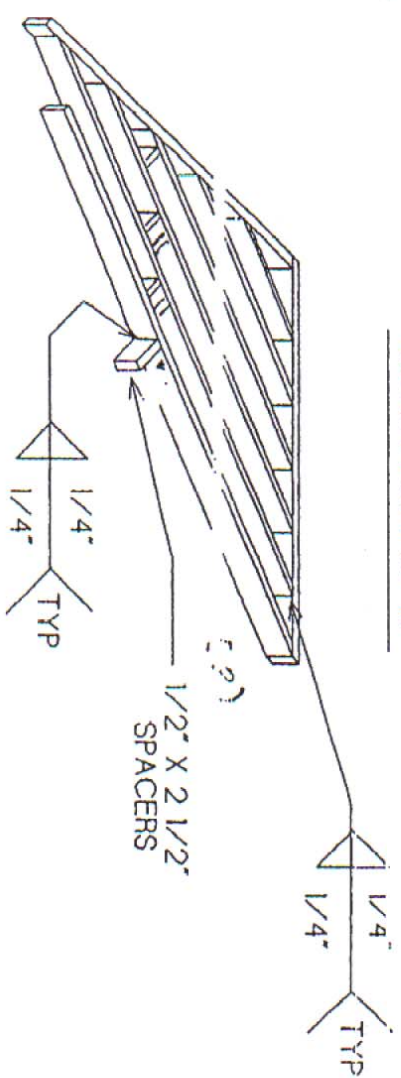
SECTION A-A



SECTION B-B



TYPICAL CORNER
 DETAIL

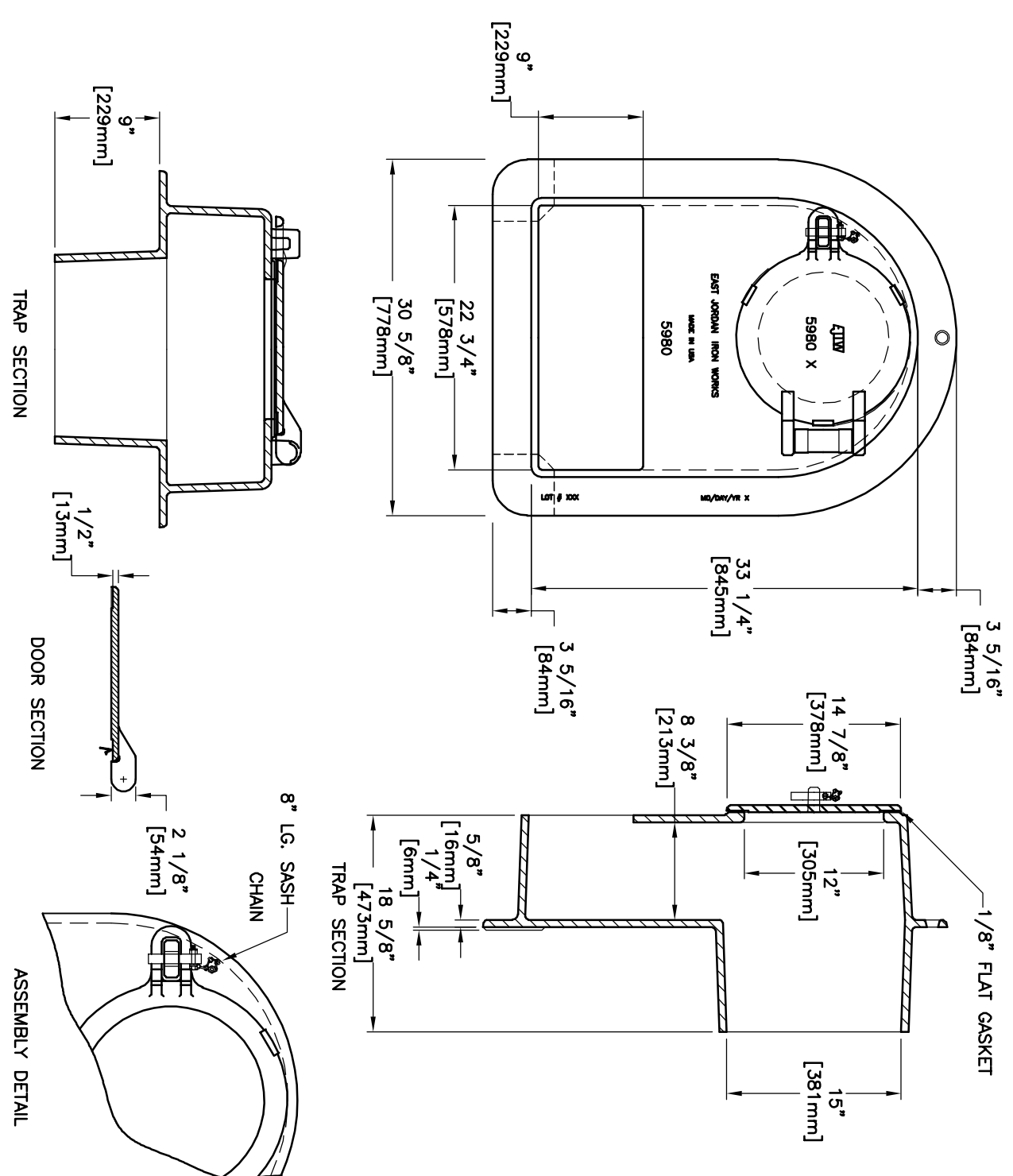


DIAGONAL GRATE

MORGAN'S WELDING

1841 Camp Awarala Road
 Myerstown, PA 17067
 Phone - 717-933-5255

DATE:	7/24
BY:	...
CHECKED:	...
SCALE:	1" = 1'-0"
NO. OF SHEETS:	1



✓ MACHINED SURFACE

EAST JORDAN
IRON WORKS, INC.
P.O. BOX 439
EAST JORDAN, MI. 49727
1-800-874-4100
FAX 231-536-4458

DRAWN DATE
SBB 05/03/04

APPROVED DATE

5980 TRAP &
CLEANOUT DOOR

PRODUCT NO.
00598066

CATALOG NO.
5980

REF. PRODUCT DRAWING
598066 598077

EST. WT.
DOOR: 35 LBS 16kg
FRAME: 450 LBS 204kg
UNIT: 485 LBS 220kg

OPEN AREA
N/A

MAT'L SPEC.
DOOR - GRAY IRON
ASTM A48 CL35
TRAP - GRAY IRON
ASTM A48 CL35

LOAD RATING